

## 取样阀 Sampling Valve

### 应用 Applications

无菌型取样阀在每一次取样操作之前和之后都必须进行消毒灭菌处理(SIP)。物料直接用隔膜片来密封,无死角,杀菌更彻底。可以连续,并且随时进行无菌取样。广泛应用于:酿酒、饮料、奶食品、生物医药行业。

Aseptic-type sampling valve system should be carry out disinfection and sterilization processing (SIP) before and after it is used for sampling each time. Material is sealed with the diaphragm directly. There is no dead ends in the valve and easy to clean. It also can be continuous, and the sterile sampling at any time. And it is Widely used in the areas: wine, beverages, milk food, bio-pharmaceutical industry.

### 工作原理 Operating Principles:

取样:

取样前,先对无菌取样阀消毒灭菌处理(SIP)。旋转把手(可调节式阀门)或者开关执行器(开/关阀门),打开阀门。轴芯及隔膜片开启,这样就使流体得以通过。

阀门关闭: 灭菌处理

反向操作执行器,将阀门闭合,同时并保持两段软管之间的通道相通,再次进行灭菌消毒(SIP)操作。

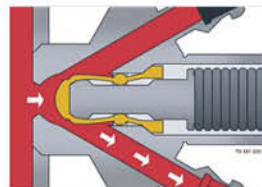
sampling:

Before sampling, first step is sterilization processing (SIP). Revolving the handle (can be adjustable valve), or switch actuator (on / off). opening shaft core and the diaphragm. Then making liquid through.

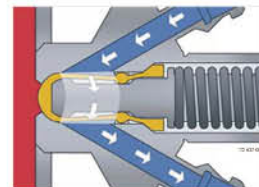
Valve closed: Sterilization

Reverse operating the actuator, and then closing the valve, meanwhile maintaining a passageway between the two hoses interlinked, and sterilization (SIP) operating again

### 工况图 Condition



开启阀门, 取样操作  
opening valve, sampling operating structure



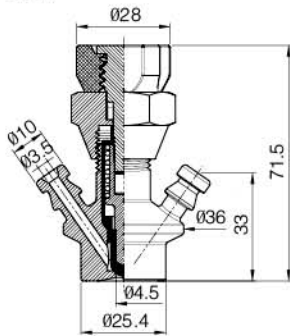
关闭阀门, 灭菌消毒操作  
closing valve, sterilization operating structure





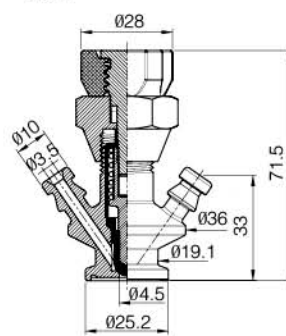
# 取样阀 Sampling Valve

V2044



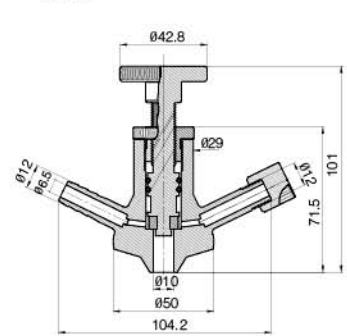
焊接式无菌取样阀  
Welded aseptic sample valve

V2045



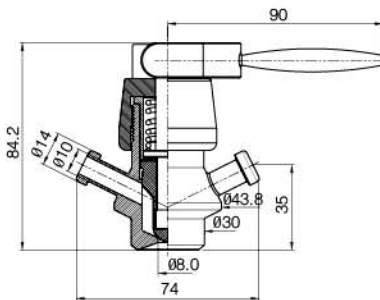
卡箍式无菌取样阀  
Clamped Aseptic Sample Valve

V2046



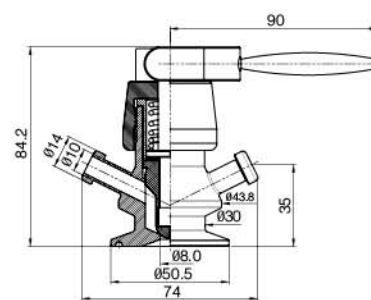
焊接式无菌取样阀  
Welded Aseptic Sample Valve

V2047



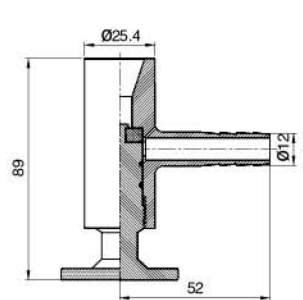
焊接式无菌取样阀  
Welded Aseptic Sample Valve

V2048



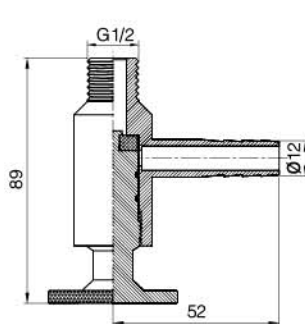
卡箍式无菌取样阀  
Clamped aseptic sample valve

V2049



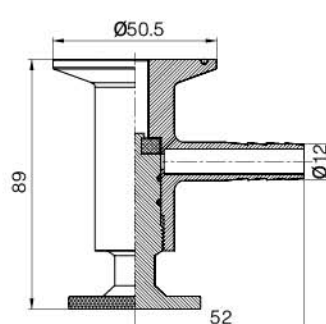
焊接式取样阀  
Welded Sample Valve

V2050



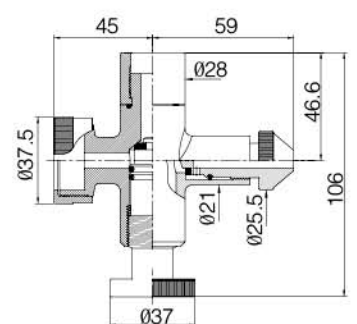
螺纹式取样阀  
Thread Sample Valve

V2051



卡箍式取样阀  
Clamped Sample Valve

V2052



液位计  
Liquidometer