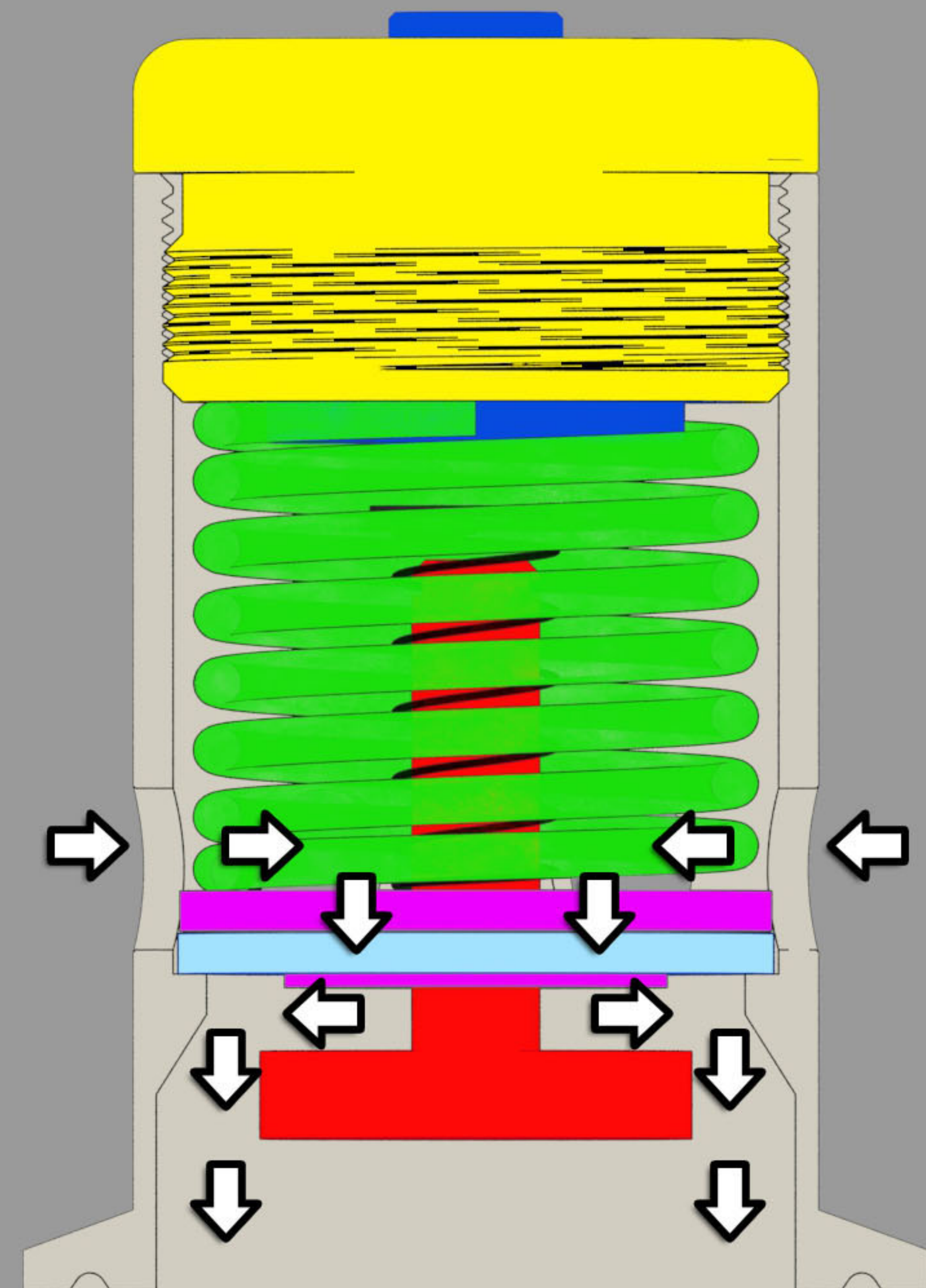
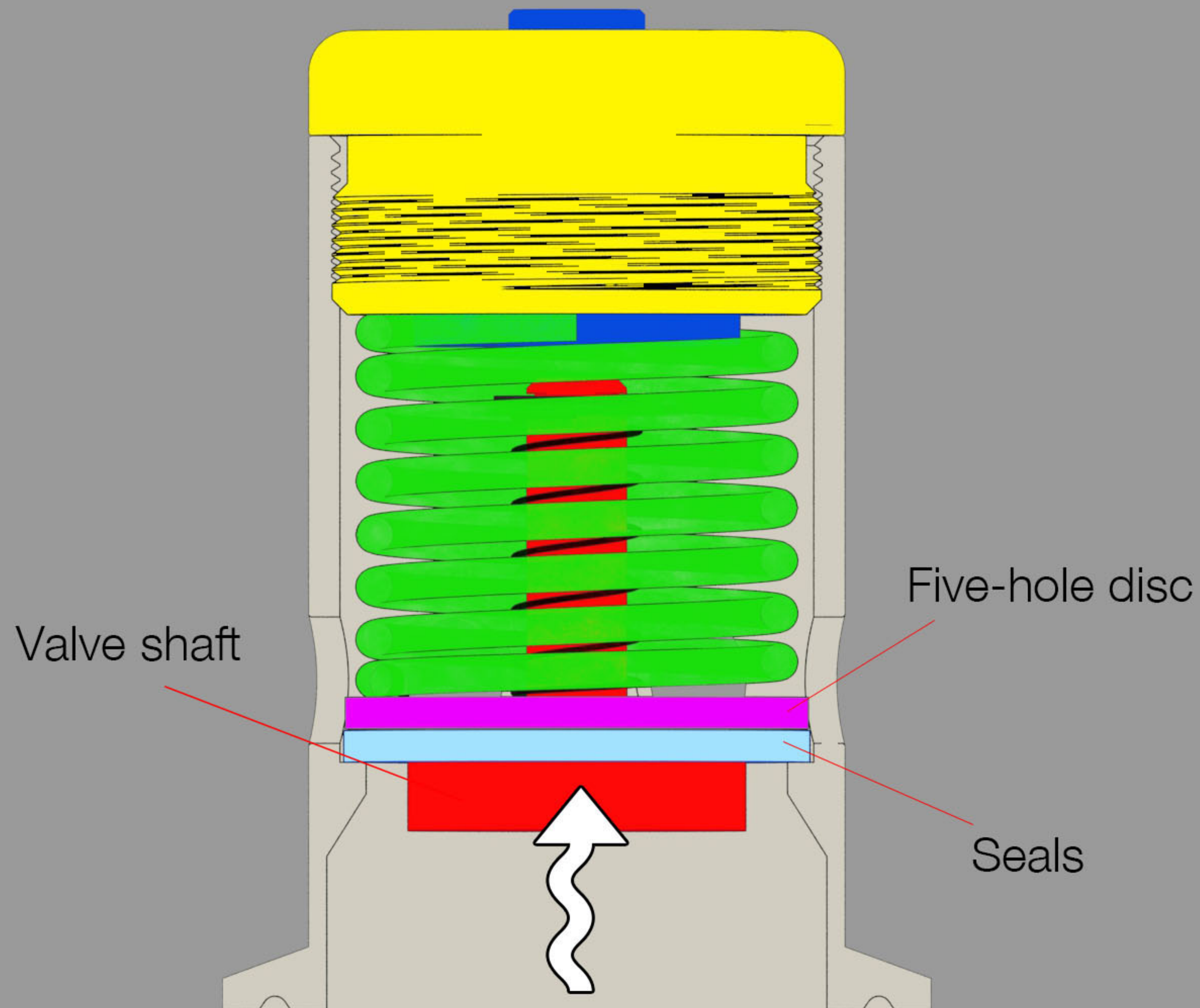


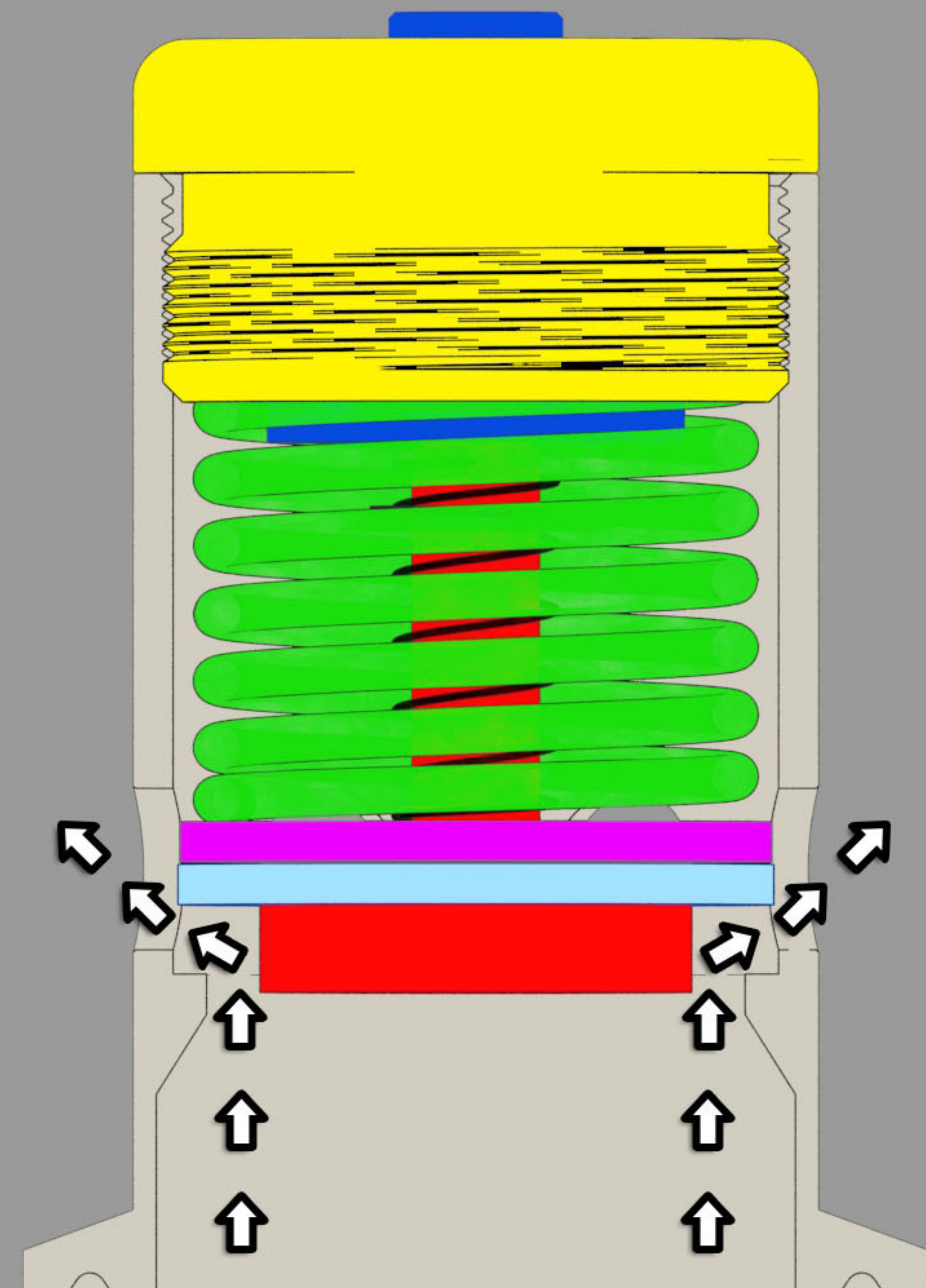
Normally closed, spring compressed and shaft downward when not enough pressure inside tank, acted as: "vacuum valve".



Open, air go into the tank.

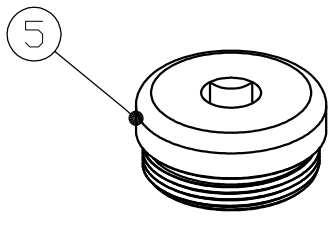


Normally closed, spring compressed and shaft upward when tank is at pressure, acted as “pressure valve”..

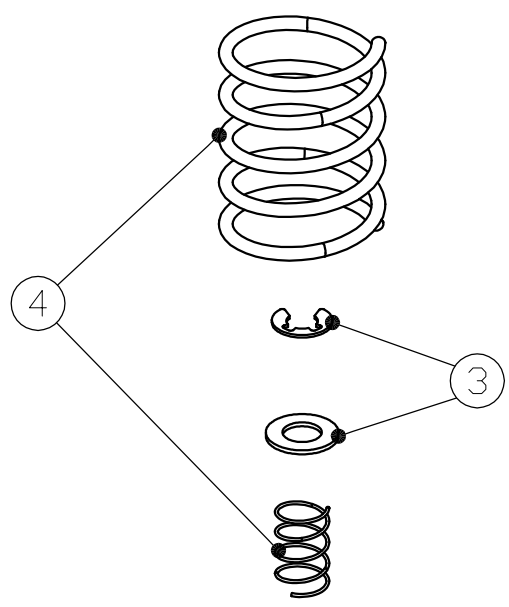


Open, air go out of the tank

◎ valve cover

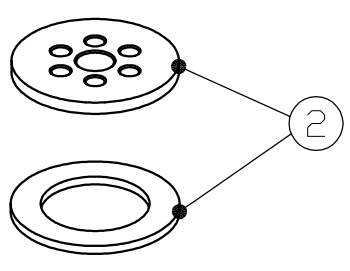


◎ big spring  
◎ small spring

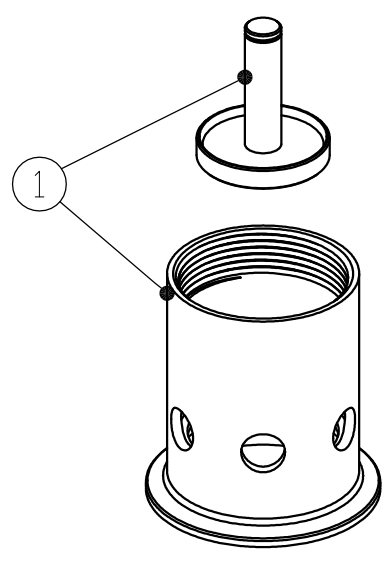


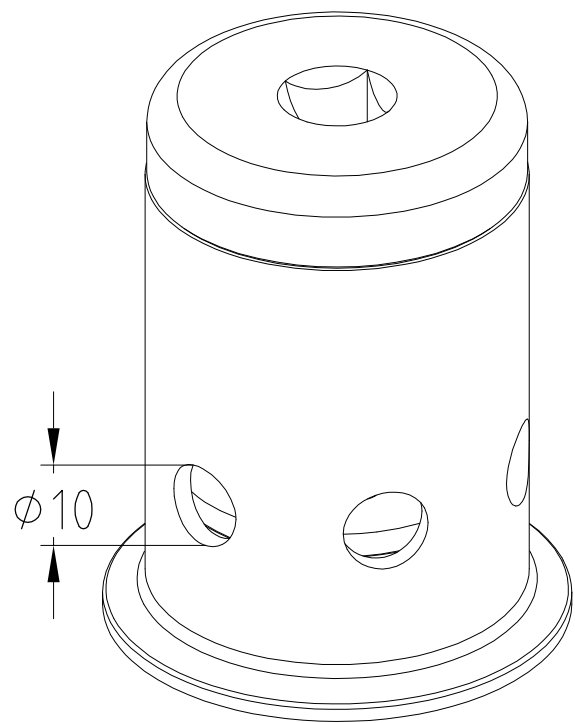
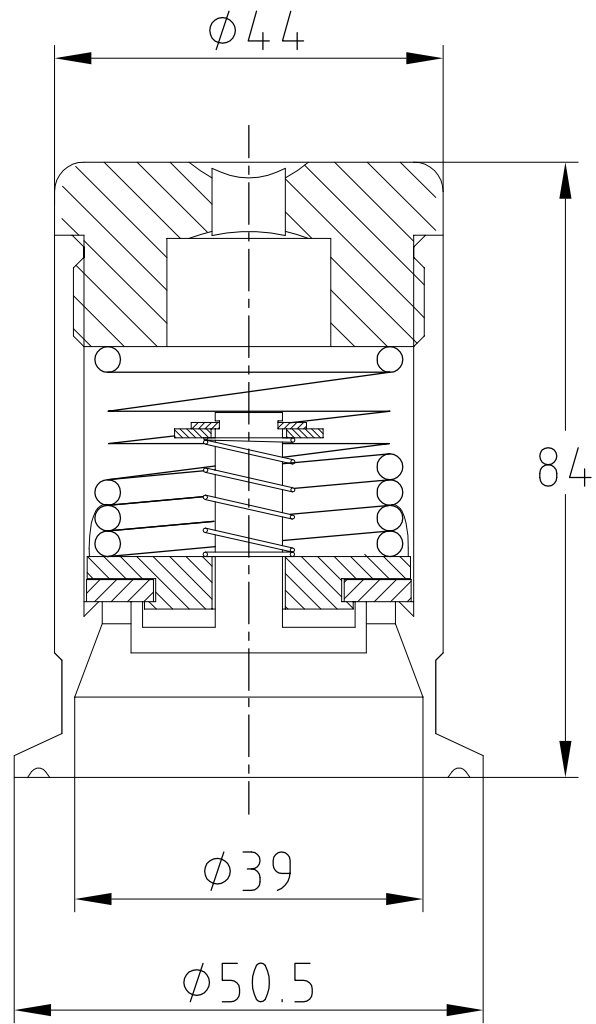
◎ jump spring  
◎ plain gasket



◎ five-hole disc  
◎ seals

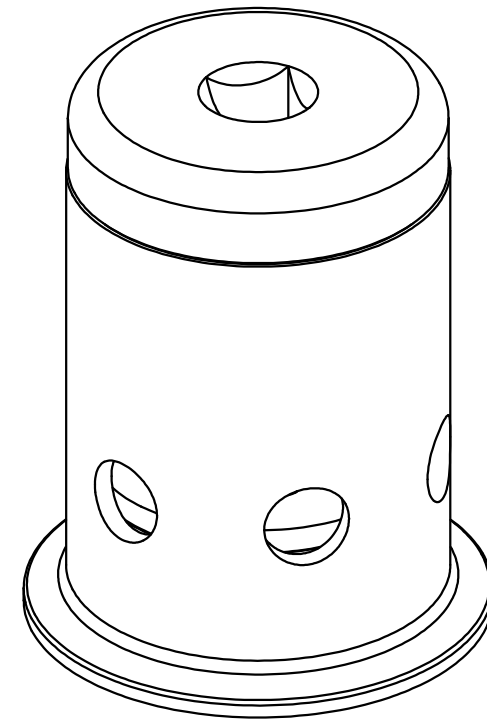
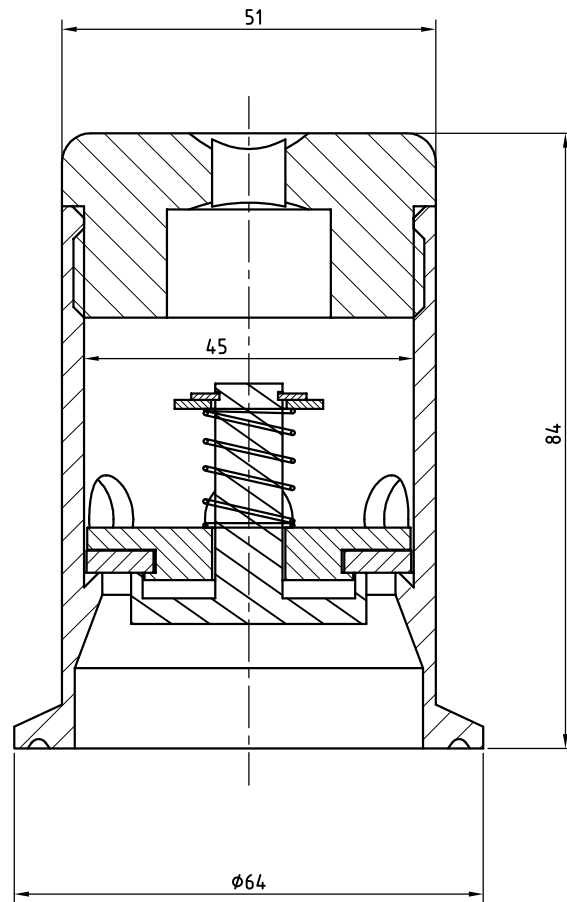




◎ valve shaft  
◎ valve body

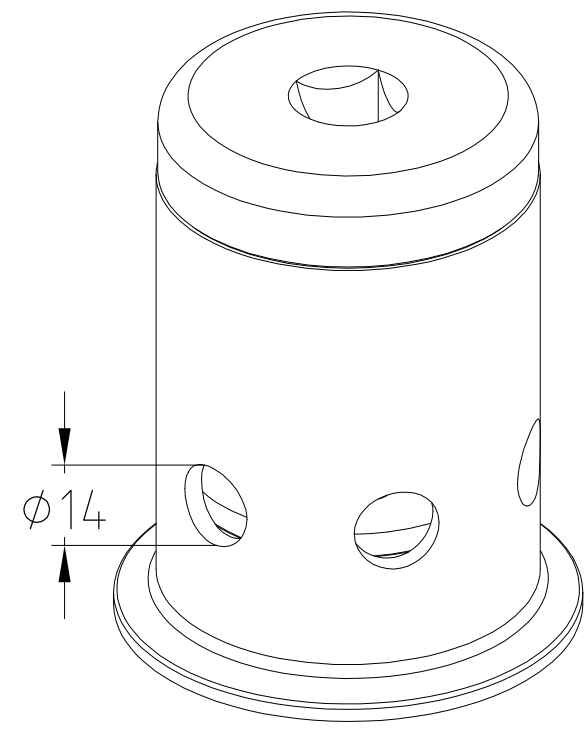
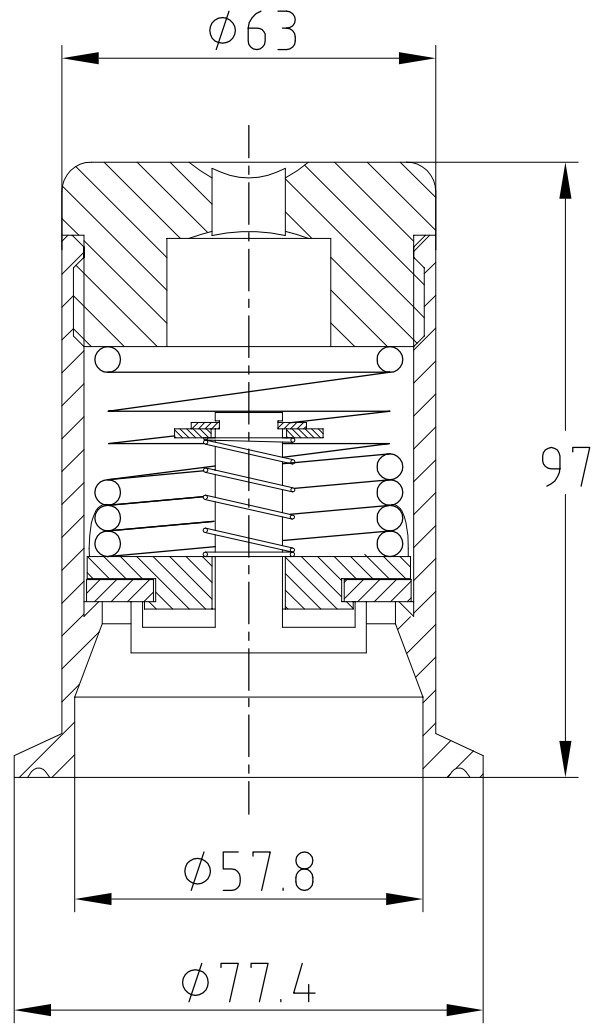




 <b>Weizhou</b>			WENZHOU WEIZHOU LIGHT INDUSTRY MACHINERY CO.,LTD	
			PROJECT: VRE vacuum exhaust integrated valve	
Material	Designer	Scale	TITLE: 1.5''	
SS304/316L	KG	1:1		
Projection				



 <b>Weizhou</b>			WENZHOU WEIZHOU LIGHT INDUSTRY MACHINERY CO.,LTD	
			PROJECT: VRE vacuum exhaust integrated valve	
Material	Designer	Scale	TITLE: $\phi 51$	
SS304/316L	KG	1:1		
Projection				



			WENZHOU WEIZHOU LIGHT INDUSTRY MACHINERY CO.,LTD	
			PROJECT: PVRE type pressure & vacuum relief valve	
Material	Designer	Scale	TITLE: 2.5''	
SS304/316L	KG	1:1		
Projection				