



卫生级蝶阀 Sanitary Butterfly Valve



应用

蝶阀是一款卫生型、自动或手动操作的蝶阀，适合于不锈钢管道系统内的各类应用。

工作原理

蝶阀既可通过一个气动头进行遥控操作，也可以通过一个手柄进行手动操作。

执行器有三种标准款型，即常闭(NC)型，常开(NO)型和空气/空气(A/A)型。

执行器将一个活塞的轴向运动转换为阀门轴的90°旋转运动。当阀门体内的圆形蝶片接触到蝶阀的密封圈上时，执行器的扭矩增大，关闭阀门。

选择不同的手动操作的手柄可将阀门机械式锁定在开启，关闭，中间或其它的位置上。实现对流量进行调节。

Applications:

butterfly is a sanitary automatically or manually operated butterfly valve for use in stainless steel pipe systems.

Operating Principles:

butterfly is either remote-controlled by means of an actuator or manually operated by means of a handle.

The actuator is made in three standard versions, normally closed (NC), normally open (NO) and air/air activated (A/A).

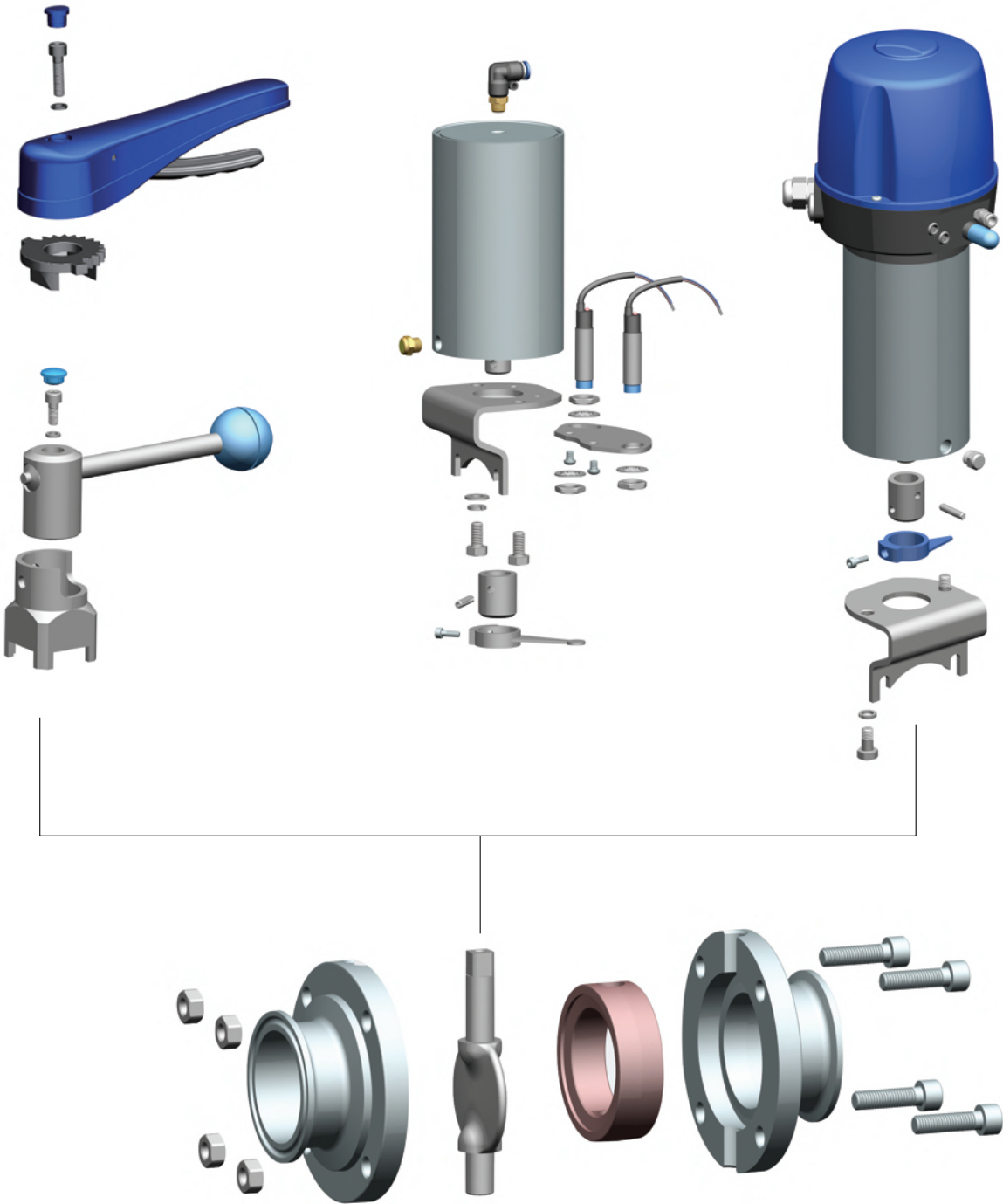
The actuator is designed so that an axial movement of a piston is transformed into a 90° rotation of a shaft. The torque of the actuator is increased when the valve disc contacts the seal ring of the butterfly valve. valve is closed.

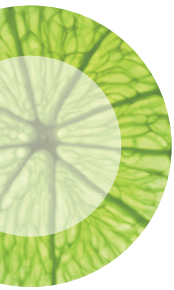
Selected The handle for manual operation mechanically can locks the valve in its open position\closed position\middle position and more position,so the flow rate can be regulated.



L 型转轴阀
Shaft Valve(Type-L)

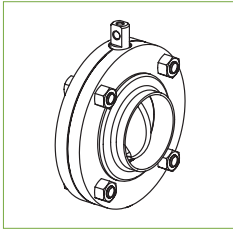




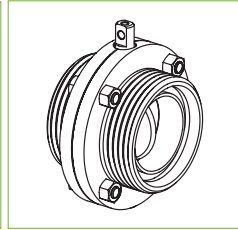


卫生级蝶阀 Sanitary Butterfly Valve

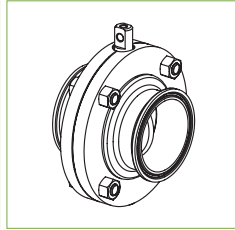
阀体组合形式
Body Type



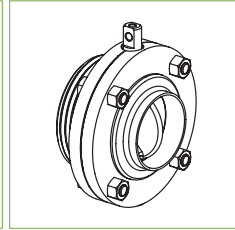
焊接 - 焊接式
Weld-Weld series



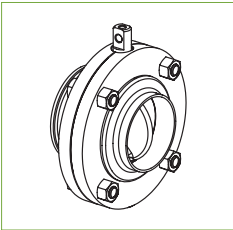
螺纹 - 螺纹式
Male-Male series



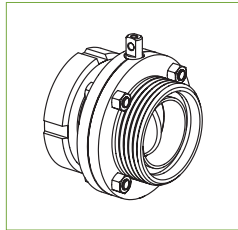
快装 - 快装式
Clamp-Clamp series



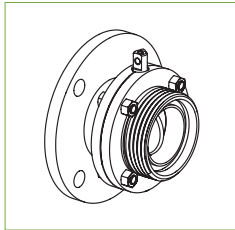
焊接 - 螺纹式
Weld-Male series



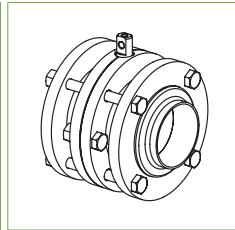
焊接 - 快装式
Weld-Clamp series



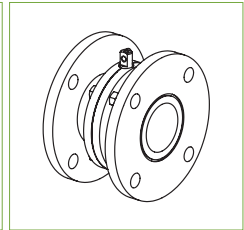
外螺纹 - 接头式
Male-Liner series



螺纹 - 法兰式
Male-Flange series

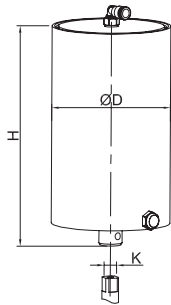


三片式法兰式
Three-piece series



法兰 - 法兰式
Flange-Flange series

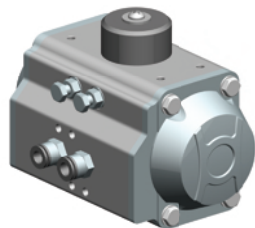
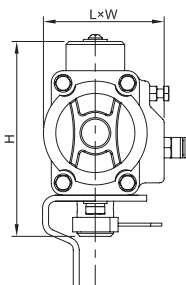
V2015



不锈钢气动执行器 Stainless steel Pneumatic Actuator

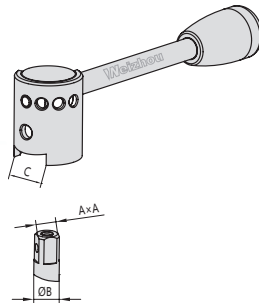
	Size		D	H	K
DN10~DN50	ø19~ø57	1/2"~2"	85	172.5	8×8
DN65~DN100	ø63.5~ø114	2.5"~4.5"	85	172.5	10×10
DN125~DN150	ø133~ø168.3	5"~6"	114	211	12×12
DN200	ø219	8"	133	295	16×16

V2016



铝合金气动执行器 (单作用 / 双作用) Aluminum Pneumatic Actuator (Single bracket / double bracket)

	Size		H	L×W
DN10~DN32	ø19~ø32	1/2"~1 1/4"	117	140.5×60.5
DN40~DN65	ø38~ø63	1 1/2"~2 1/2"	133	158.5×73
DN80~DN100	ø76~ø114	3"~4"	150	210.5×94.5
DN125~DN150	ø133~ø168.3	5"~6"	187	247.5×106
DN200	ø219	8"	227	315×141

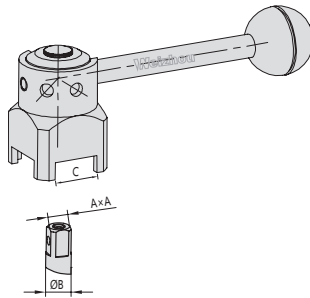


Wa 型 圆头拉式手柄
Wa type Round Pull Handle

V2017

SIZE	A	B	C	H	
DN25-DN50	1.0"-2.5"	8*8	9.8	22	140
DN65	3"	10*10	13	24	140
DN80-DN100	4.0"	10*10	13	26	155
DN125-DN150	5.0"-6.0"	12*12	15.0	30	190

调节方式：2个定位、3个定位、4个定位；可装配所有蝶阀。
Adjusting: 2 position, 3 position, 4 position used for butterfly valve

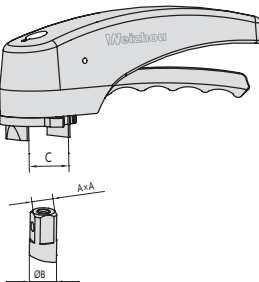


Wb 型 方头拉式手柄
Wb type Square Pull Handle

V2018

SIZE	A	B	C	H	
DN25-DN50	1.0"-2.5"	8*8	9.8	22	140
DN65	3"	10*10	13	24	140
DN80-DN100	4.0"	10*10	13	26	155
DN125-DN150	5.0"-6.0"	12*12	15.0	30	190

调节方式：2个定位、3个定位、4个定位；可装配所有蝶阀。
Adjusting: 2 position, 3 position, 4 position used for butterfly valve

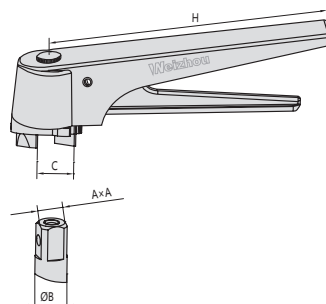


Wc 型 多定位钳式手柄
Wc type Multi-position Handle

V2019

SIZE	A*A	B	C	H	
DN25-DN50	1.0"-2.5"	8*8	9.8	22	150
DN65	3"	10*10	13	24	165
DN80-DN100	4.0"	10*10	13	26	165

调节方式：可通过15°位置调节开启大小，共有十三个档位；可装配所有蝶阀。
Adjusting: adjustmet 15°, 13 position used for butterfly valve

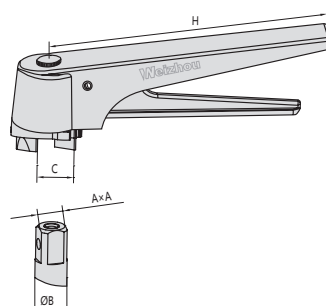


Wd 型 不锈钢多位手柄
Wd type Stainless Steel Multi-position Handle

V2020

SIZE	A*A	B	C	H	
DN25-DN50	1.0"-2.5"	8*8	9.8	22	155
DN65	3"	10*10	13	24	155
DN80-DN100	4.0"	10*10	13	26	155

调节方式：可通过15°位置调节开启大小，共有十三个档位；可装配所有蝶阀。
Adjusting: adjustmet 15°, 13 position used for butterfly valve



We 型 塑料多位手柄
We type Plastic Multi-position Handle

V2021

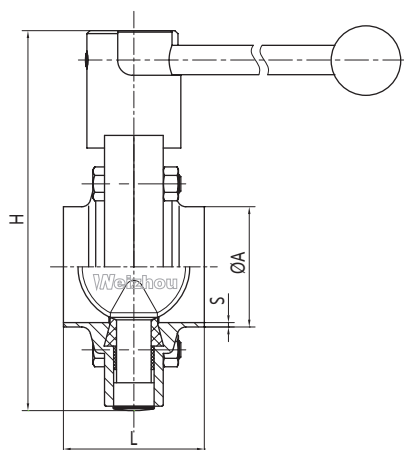
SIZE	A	B	C	H	
DN25-DN50	1.0"-2.5"	8*8	9.8	22	155
DN65	3"	10*10	13	24	165
DN80-DN100	4.0"	10*10	13	26	165

调节方式：可通过15°位置调节开启大小，共有十三个档位；可装配所有蝶阀。
Adjusting: adjustmet 15°, 13 position used for butterfly valve



卫生级蝶阀 Sanitary Butterfly Valve

V2022



手动焊接式

Welded type with Manual

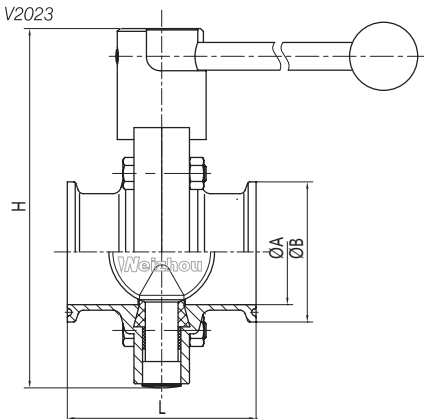
DIN

DN	A		S	L	H
	0	2			
DN20	22	23	1.5	52	108.5
DN25	28	29	1.5	52	108.5
DN32	34	35	1.5	54	113.5
DN40	40	41	1.5	50	120
DN50	52	53	1.5	54	136.5
DN65	70	2	2	58	153
DN80	85	2	2	60	167.5
DN100	104	2	2	70	192
DN125	129	2	2	78	249
DN150	154	2	2	84	275

SMS / 3A / ISO

Size	A	S	L	H
1"	25.4		52	103
1.25"	31.8	1.5 / 1.65 / 1.5	54	109.5
1.5"	38.1		54	113
2"	50.8	1.5 / 1.65 / 1.5	50	129.5
2.5"	63.5	2 / 1.65 / 2	56	145
3"	76.2	2 / 1.65 / 2	60	159
3.5"	101.6	2 / 2.11 / 2	70	171.5
4"			70	192

V2023



手动快装式

Clamp type with Manual

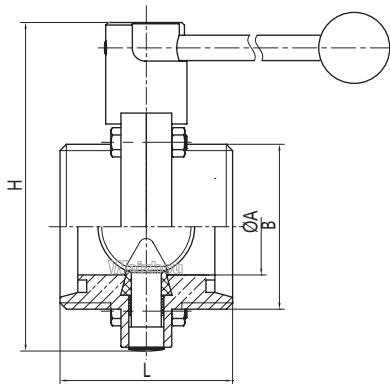
DIN

DN	A	B	L	H
DN20	20	34	70	108.5
DN25	26	50.5	70	108.5
DN32	32	50.5	70	113.5
DN40	38	50.5	70	120
DN50	50	64	70	136.5
DN65	66	91	70	153
DN80	81	106	90	167.5
DN100	100	119	100	192
DN125	125	155	105	249
DN150	150	183	120	275

SMS / 3A / ISO

Size	A	B	L	H
1.0"	22.1	50.5	70	103
1.25"	28.5	50.5	70	109.5
1.5"	34.8	50.5	70	113
2.0"	47.5	64	70	129.5
2.5"	60.2	77.5	80	145
3.0"	72.9	91	80	159
3.5"	84.8	106	90	171.5
4.0"	97.38	119	90	192

V2024



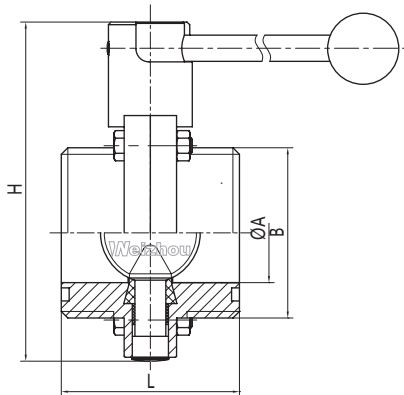
手动螺纹式

Threaded type with Manual

DIN

DN	A	B	L	H
DN20	20	RD44X1/6"	70	108.5
DN25	26	RD52X1/6"	70	108.5
DN32	32	RD58X1/6"	70	113.5
DN40	38	RD65X1/6"	76	120
DN50	50	RD78X1/6"	76	136.5
DN65	66	RD95X1/6"	80	153
DN80	81	RD110X1/4"	90	167.5
DN100	100	RD130X1/4"	100	192
DN125	125	RD160X1/4"	106	249
DN150	150	RD190X1/4"	120	275

V2025



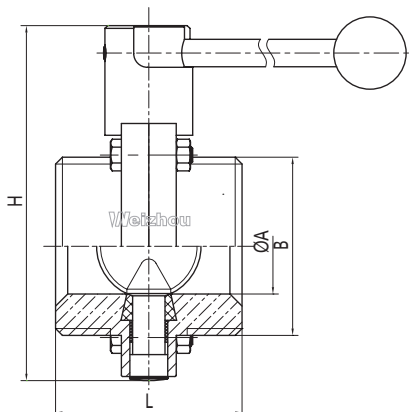
手动螺纹式

Threaded type with Manual

SMS

Size	A	B	L	H
SMS25	22.5	RD40X1/6"	70	103
SMS32	28.8	RD48X1/6"	70	109.5
SMS38	35.5	RD60X1/6"	70	113
SMS51	48.5	RD70X1/6"	76	129.5
SMS63.5	60.5	RD85X1/6"	76	145
SMS76	72.9	RD98X1/6"	80	159
SMS89	85	RD110X1/6"	90	171.5
SMS101.6(小)	97.6	RD125X1/4"	100	192
SMS101.6(大)	97.6	RD132X1/6"	100	192

V2026



手动螺纹式

Threaded type with Manual

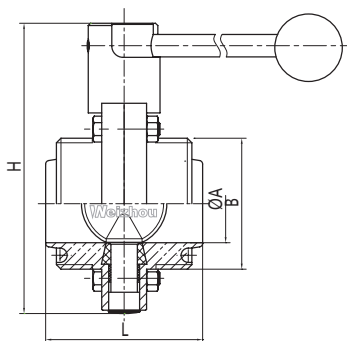
3A

Size	A	B	L	H
1.0"	22.1	37.13×8TPI ACME	70	103
1.5"	34.8	50.65×8TPI ACME	70	113
2.0"	47.5	64.16×8TPI ACME	76	129.5
2.5"	60.2	77.67×8TPI ACME	76	145
3.0"	72.9	91.19×8TPI ACME	80	159
4.0"	97.6	119.25×6TPI ACME	100	192



卫生级蝶阀 Sanitary Butterfly Valve

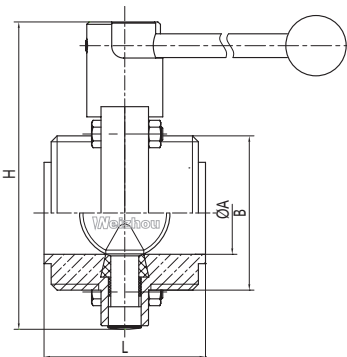
V2027



手动螺纹式
Threaded type with Manual RJT

Size	A	B	L	H
1.0"	22.1	45.72×8TPI WHIT	70	103
1.5"	34.8	58.42×8TPI WHIT	70	113
2.0"	47.5	72.72×6TPI WHIT	76	129.5
2.5"	60.2	85.42×6TPI WHIT	76	145
3.0"	72.9	98.12×6TPI WHIT	80	159
4.0"	97.6	123.52×6TPI WHIT	100	192

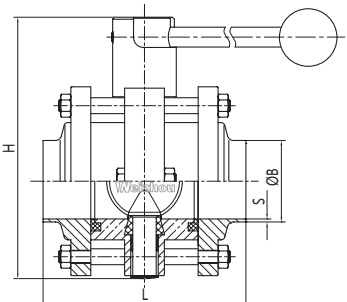
V2028



手动螺纹式
Threaded type with Manual IDF

Size	A	B	L	H
1.0"	22.1	37.13×8TPI ACME	70	103
1.5"	34.8	50.65×8TPI ACME	70	113
2.0"	47.5	64.16×8TPI ACME	76	129.5
2.5"	60.2	77.67×8TPI ACME	76	145
3.0"	72.9	91.19×8TPI ACME	80	159
4.0"	97.6	125.9×6TPI ACME	100	192

V2029



手动三片式
Three-piece type with Manual DIN

DN	S	B	L	H
DN25	1.5	29	102	108.5
DN32	1.5	35	105	113.5
DN40	1.5	41	104	120
DN50	1.5	53	107	136.5
DN65	2	70	103	153
DN80	2	85	107	167.5
DN100	2	104	115	192
DN125	2	129	125	249
DN150	2	154	125	275

SMS / 3A / ISO

Size	S	B	L	H
1"		25.4	102	108.5
1.5"	1.5 / 1.65 / 1.5	38.1	104	120
2"	1.5 / 1.65 / 1.5	50.8	107	136.5
2.5"	2 / 1.65 / 2	63.5	106	145
3"	2 / 1.65 / 2	76.2	103	153
4"	2 / 2.11 / 2	101.6	115	192