

蝶式球阀 Butterfly - Ball Valve

应用

蝶式球阀是一款卫生型、自动或手动操作的蝶阀，适合于不锈钢管道系统内的各类应用。是卫生级行业处理黏性或含有颗粒物介质的最佳选择。主要应用于食品，饮料加工，以及制药和化学工业等领域。

工作原理

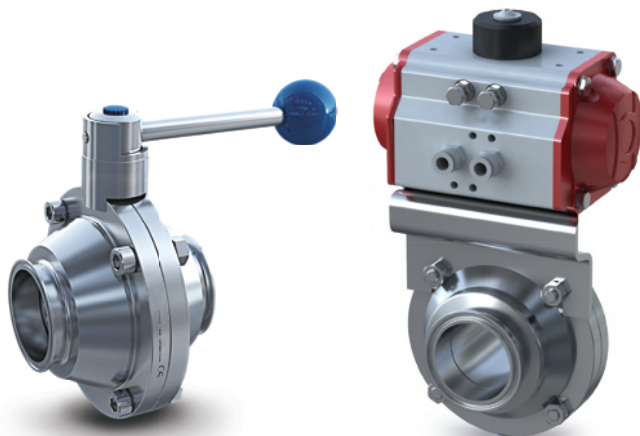
蝶式球阀可手动，又可通过气动头远程操作，其具有蝶阀结构简单，拆装方便特点，同时又具球阀流阻小，启闭灵活，适用范围广，使用寿命长等特点。带排泄装置的设计减少了普通球阀存在的介质滞留问题。

Applications:

Butterfly-ball valve is a sanitary butterfly valve with manual and pneumatic , use for stainless steel pipe system . best choice for medium with emplastic and grain in sanitary area . main are a for food , drink ,pharmacy and Chemical .

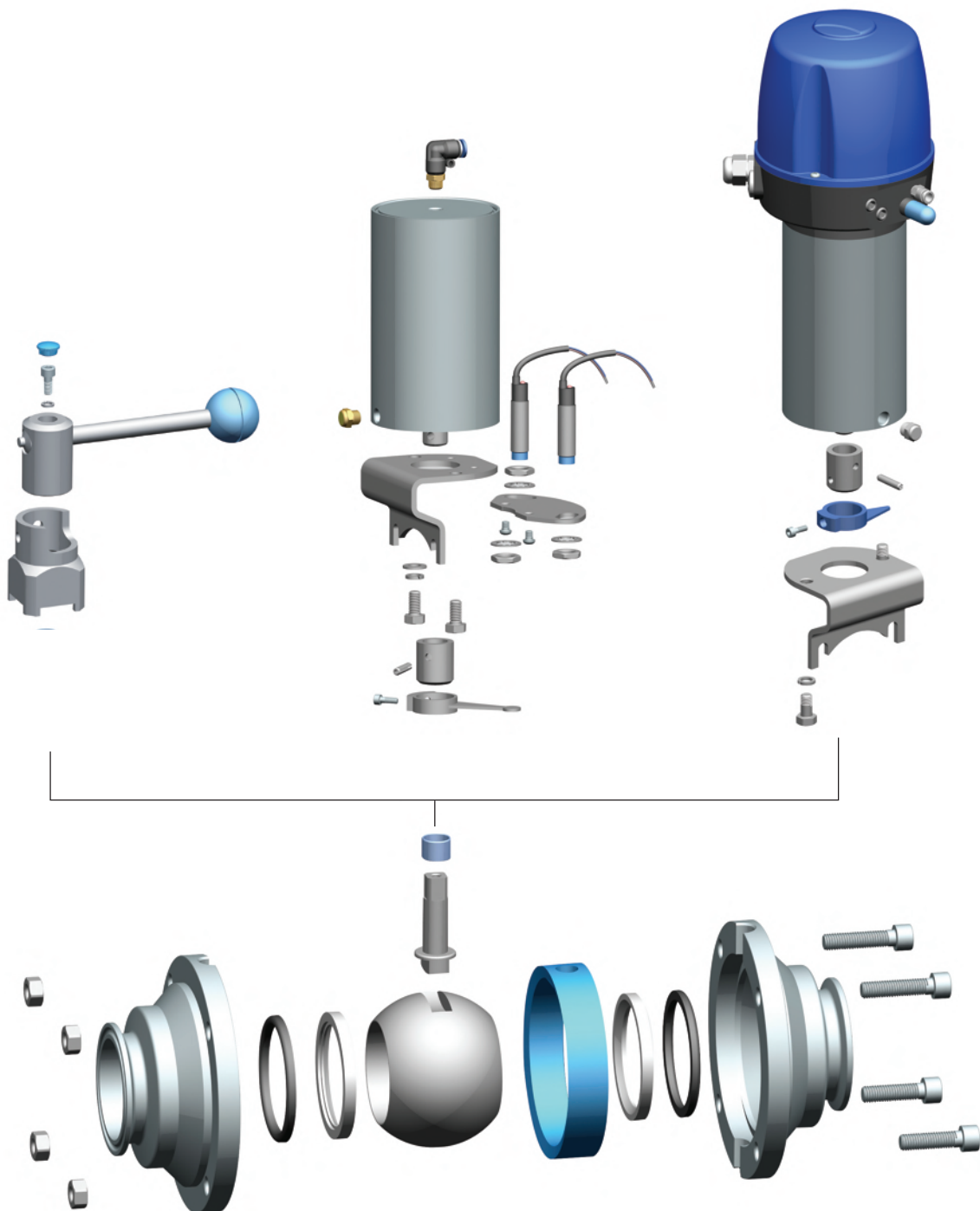
Operating Principles:

Butterfly-ball valve , manual and Pneumatic control . simple structure like butterfly valve . disassembly easily . with ball valve less resistance , flexible opening , use to more area .and long life time . with setting for drainage . no medium remaining

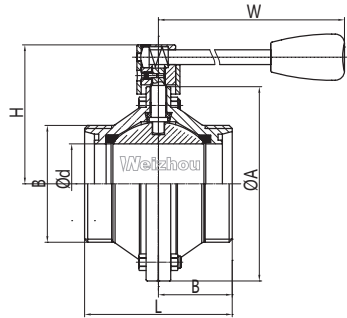




蝶式球阀
Butterfly-ball Valve



V2035



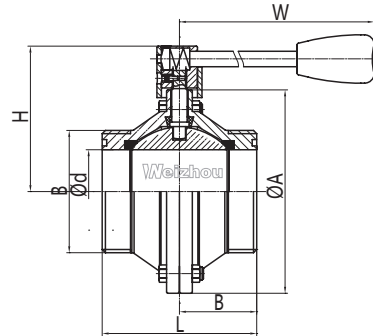
螺纹蝶式

Threaded butterfly-type

DIN

DN	d	A	B	L	H	W	B
DN25	26	94	36	72	84	140	Rd52×1/6"
DN40	38	114	42	84	93	140	Rd65×1/6"
DN50	50	131	48	98	102	140	Rd78×1/6"
DN65	66	158	60	120	117	155	Rd95×1/6"
DN80	81	181	70	140	142	220	Rd110×1/4"
DN100	100	209	82	164	152	220	Rd130×1/4"

V2036



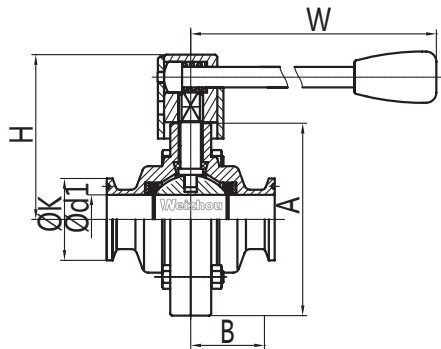
螺纹蝶式

Threaded butterfly-type

SMS

Size	d	A	L	H	W	B
25	22.5	94	72	84	140	Rd40×1/6"
38	35.5	114	84	93	140	Rd60×1/6"
51	48.5	131	98	102	140	Rd70×1/6"
63.5	60.5	158	120	117	155	Rd85×1/6"
76	72.9	181	140	142	220	Rd98×1/6"
101.6	97.6	209	164	152	220	Rd125×1/4"

V2037



快装蝶式

Clamp Butterfly-type

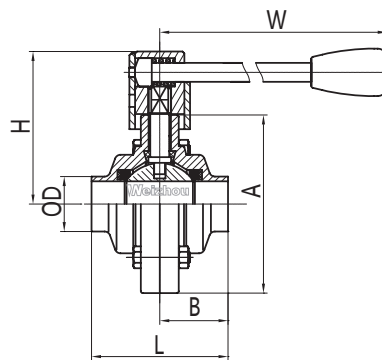
DIN 11850

Size	DN25	DN40	DN50	DN65	DN80	DN100
L	72	84	98	120	140	164
A	94	114	131	158	181	209
B	36	42	49	60	70	82
H	81	91	100	113	126	143
W	150	150	150	180	250	250
d1	25	37	49	66	81	100
K	50.5	50.5	64	91	106	119

3A/SMS/ISO

Size	1"	1-1/2"	2"	2-1/2"	3"	4"
L	72	84	98	120	140	164
A	94	114	131	158	181	209
B	36	42	49	60	70	82
H	81	91	100	113	126	143
W	150	150	150	180	250	250
d1	22.1	34.8	47.5	60.2	72.9	97.38
K	50.5	50.5	64	77.5	91	119

V2038



焊接蝶式

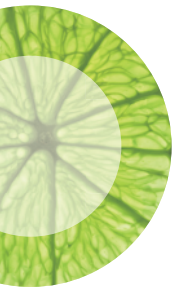
Welded Butterfly-type

DIN 11850 Series 0&2

Size	DN25	DN40	DN50	DN65	DN80	DN100
L	72	84	98	120	140	164
A	94	114	131	158	181	209
B	36	42	49	60	70	82
H	81	91	100	113	126	143
W	150	150	150	180	250	250
OD	28/29	40/41	52/53	70	85	104

INCH

Size	1"	1-1/2"	2"	2-1/2"	3"	4"
L	72	84	98	120	140	164
A	94	114	131	158	181	209
B	36	42	49	60	70	82
H	81	91	100	113	126	143
W	150	150	150	180	250	250
OD	25.4	38.1	50.8	63.5	76.2	101.6



卫生级法兰球阀 Sanitary Flange Ball Valve



应用

法兰球阀是一款卫生型球阀，用于物料输送。这种阀门的应用范围包括食品，饮料加工，以及制药和化学工业等领域。完全贯通的阀门腔设计不会产生任何流体阻力。因此成为用来处理黏性或含有颗粒物的流体的最佳选择。

工作原理

一只带有贯通腔的精确制造的球体被放置在阀门体内的两块法兰和两片 PTFE 阀门座之间。一个阀门轴芯经 90° 旋转可作用于该球体，因而能够开启或关闭阀门。

同时可增加阀座清洗接头，对球阀阀腔进行清洗，由排泄孔排出。法兰球阀系列阀门是通过一只气动头进行操作，或者是通过一个手柄即可进行手动操作。

法兰球阀系列球阀有三种结构：

WF-1 型球阀为三片式结构，由两片法兰，阀体及两个 PTFE 阀座构成。采用螺栓安装。可增加阀座清洗接头，对球阀阀腔进行清洗，由排泄孔排出。

WF-2 型球阀为三通球阀，结构形式有 T 型及 L 型两种。由阀体，阀盖及 PTFE 阀座构成，采用螺纹安装方式。

WF-3 型球阀为两片式结构，由阀体，接头及两个 PTFE 阀座构成，采用卡箍式安装。可增加阀座清洗接头，对球阀阀腔进行清洗，由排泄孔排出。

Applications:

Flange ball valve designed for use as a product valve. The valve is suitable for applications within food, beverage, pharmaceutical and chemical industries.

The full bore design with zero flow restriction makes the optimum choice for viscous or particulate liquids.

Operating Principles:

A precision made ball with a bore is positioned inside the valve body between two flanges and two PTFE valve seats. A 90° rotation of the valve stem is transferred to the ball and thereby opening or closing the valve.

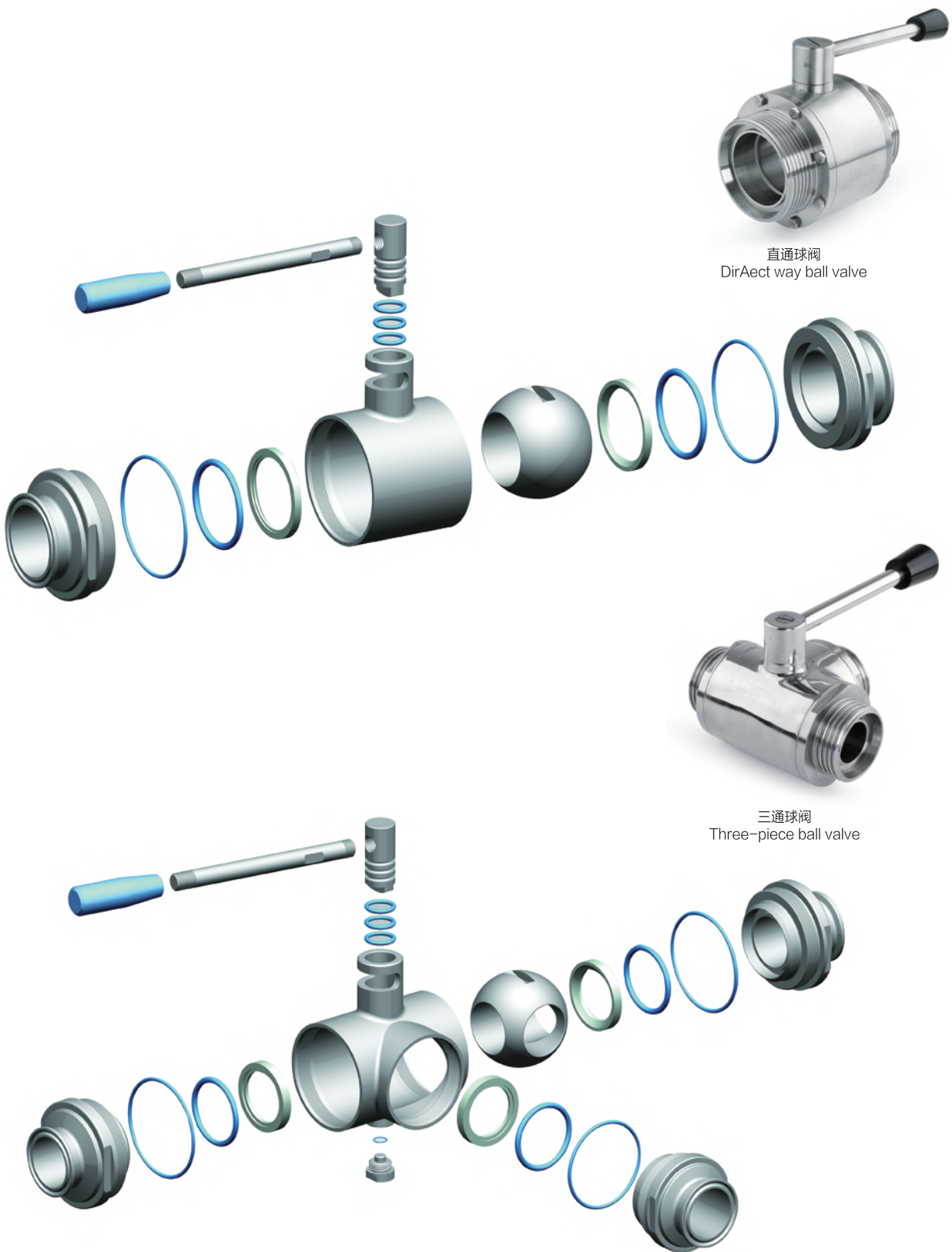
is operated by a pneumatic actuator or manually operated by means of a handle.

There are three types structures designs of Flange ball valve WF-1-type is 3 pieces ball valve , combining with two flanges, 1 valve body and 2 PTFE valve seat. The way of installation is threaded ,Can be Increased the number of valve seat cleaning connectors, and cleaning inside of valve chamber, discharging the remaining from the discharge hole.

WF-2 was named 3 way ball valve ,It has two kinds of types, T-and L-type. Combining with 1 valve body, joints and PTFE valve seat, the way of connection is threaded..

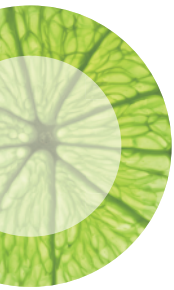
WF-3-is 2pieces ball valve ,, combining with 1 valve body, joints and 2 PTFE valve seat .

They way of installation is clamped . Can be Increased the number of valve seat cleaning connectors, and cleaning inside of valve chamber, discharging the remaining from the discharge hole.

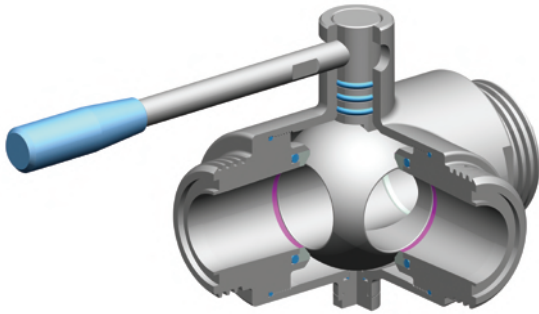


直通球阀
Direct way ball valve

三通球阀
Three-piece ball valve



卫生级法兰球阀 Sanitary Flange Ball Valve

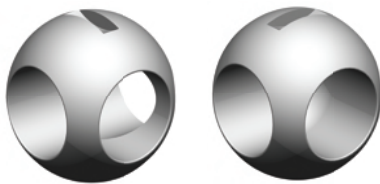
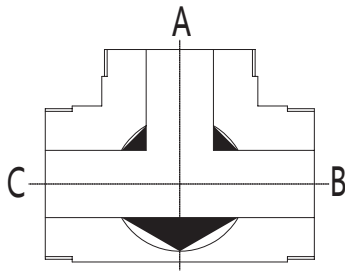


三通球阀介质流向示意图

三通球阀用于分流或汇合流通，是具有两面或四面阀座的多通口球阀，任一通口可用作入口而无泄漏。三通即可制成 L 型通口也可制成 T 型通口。

Sketch of Medium Flow-direction of Three-way Ball Valve

Three-way ball valve is used for diffluence or confluent circulation with two-side or four-side valve base embodying multiple channels. All the channels can be used as entrance, with no leakage. The three-way can be made to L-shaped channel or T-shape channel.



三通球阀结构形式

T 型通口 T-shape Passage

A向入口
A Entrance
90°旋转方向
90°Rotating Direction



90°旋转方向
90°Rotating Direction



B向入口
B Entrance
90°旋转方向
90°Rotating Direction



90°旋转方向
90°Rotating Direction



C向入口
C Entrance
90°旋转方向
90°Rotating Direction



90°旋转方向
90°Rotating Direction



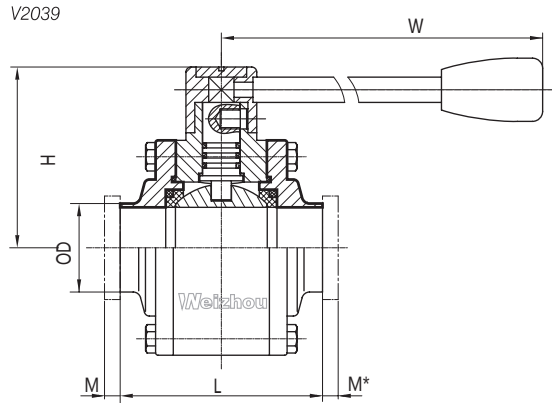
L型通口 L-shape Passage

A向入口
A Entrance
90°旋转方向
90°Rotating Direction



C向、B向切换入口
Switch-over Entrance of C and B
90°旋转方向
90°Rotating Direction





WF-1 型
WF-1 Series

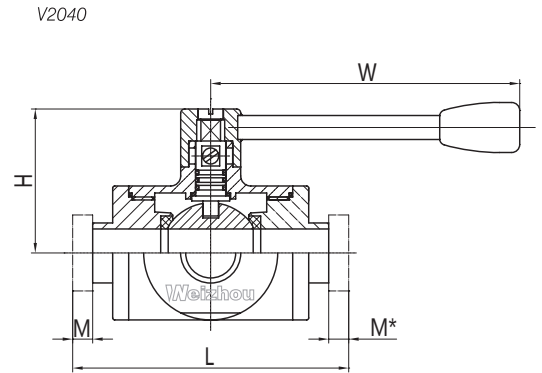
尺寸 (mm)
dimensions (mm)

DIN 11850 Series O&2							
Size	DN25	DN32	DN40	DN50	DN65	DN80	DN100
L	88	88	102	102	124	152	160
H	74	79	95	100	125	136	144
W	130	130	170	170	200	250	250
OD	28/29	34/35	40/41	52/53	70	85	104
M(Clamp)	21.5	21.5	21.5	21.5	28	28	28

INCH							
Size	1"	1-1/4"	1-1/2"	2"	2-1/2"	3"	4"
L	88	88	102	102	124	152	160
H	74	79	95	100	125	136	144
W	130	130	170	170	200	250	250
OD	25.4	31.75	38.1	50.8	63.5	76.2	101.6
M(Clamp)	12.7	12.7	12.7	12.7	12.7	12.7	15.8

* 其它连接方式请与伟宙技术部联系。

* Other connection method, pls contact with Weizhou technical department.



WF-2 型
WF-2 Series

尺寸 (mm)
dimensions (mm)

DIN 11850 Series O&2							
Size	DN25	DN32	DN40	DN50	DN65	DN80	DN100
L	138	148	174	184	208	256	286
H	72	75	82	120	123	145	160
W	160	160	180	230	280	310	310
OD	28/29	34/35	40/41	52/53	70	85	104
M(Clamp)	21.5	21.5	21.5	21.5	28	28	28

INCH							
Size	1"	1-1/4"	1-1/2"	2"	2-1/2"	3"	4"
L	138	148	174	184	208	256	286
H	72	75	82	120	123	145	160
W	160	160	180	235	280	310	310
OD	25.4	31.75	38.1	50.8	63.5	76.2	101.6
M(Clamp)	12.7	12.7	12.7	12.7	12.7	12.7	15.8

WF-3 两片无滞留系列
WF-3 Two-piece Series

尺寸 (mm)
dimensions (mm)

DIN 11850 Series O&2							
Size	DN25	DN32	DN40	DN50	DN65	DN80	DN100
L	120	120	126	126	153	163	180
H	112	112	131	148	183	203	220
W	155	155	170	170	250	250	250
OD	28/29	34/35	40/41	52/53	70	85	104
M Clamp	21.5	21.5	21.5	21.5	28	28	28

INCH						
Size	1"	1-1/2"	2"	2-1/2"	3"	4"
L	120	126	126	153	163	180
H	112	131	148	183	203	220
W	155	170	170	250	250	250
OD	25.4	38.1	50.8	63.5	76.2	101.6
M Clamp	12.7	12.7	12.7	12.7	12.7	15.8

