

卫生级视镜 Sanitary Sight Glass

应用

视镜用于需直观观察设备及系统工作状态的场合。伟宙公司根据不同的使用情况，可提供不同形式的视镜，以满足工艺的需要。广泛应用于食品，饮料，制药等领域。

直通型视镜，具有可 360° 观察，并可选配金属保护网，可水平或垂直安装。适合于管线的在线观察。

活接型视镜，具有拆装更换方便，适合于罐类设备的观察。

Applications:

Sight glass series use to see working situation of equipment . according different condition , Weizhou provide different sight glass , to meet requirements . use widely for food , drink and pharmacy area etc .

Are straight sight glass , 360 degree seeing . and choose metal protection netting . level and upright setting. Use for setting with pipe .

unions sight glass .disassembly and assembly easily , use for filling equipment .



球形视镜 (SB型)
Spheroid Sight Glass (Model SB)



焊接四通视镜 (SF 型)
Welded Four-way Sight
Glass (Model SF)



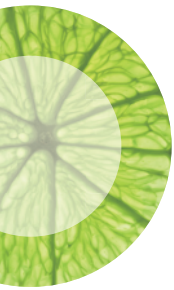
焊接式管道视镜 (SP 型)
Welded Pipe Sight Glass
(Model SP)



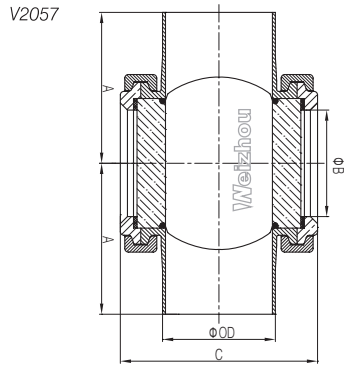
带灯视镜 (SBT 型)
Sanitary Union Sight
Glass Light (Model SBT)



带灯视镜 (SU 型)
Sanitary Union Sight
Glass Light (Model SU)



视镜 Sight Glass



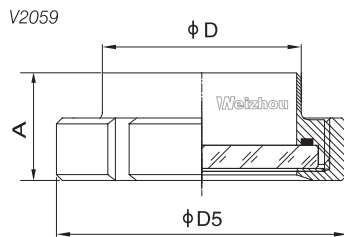
球形视镜
Spheroid Sight Glass

DN	A	B	C	OD	
				0	2
DN40	65	38	80	40	41
DN50	75	50	97	52	53
DN65	90	66	116	70	70
DN80	105	81	132	85	85
DN100	120	100	149	104	104

DIN

Size	A	B	C	OD
				INCH
1.5"	65	38	80	38.1
2.0"	75	50	97	50.8
2.5"	85	63.5	111	63.5
3.0"	95	73	124	76.2
4.0"	120	100	149	101.6

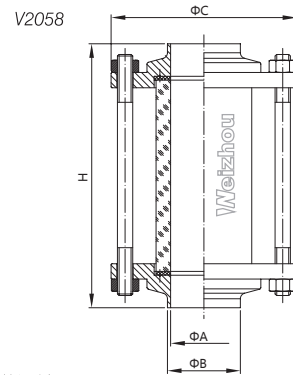
INCH



活接视镜
Union-type Sight Glass

SIZE	DIN11851		D5	DIN11850	
	A	D		A	D
DN25	35	31	62	28	28/29
DN32	38	37	70	28	34/35
DN40	40	43	77	28	40/41
DN50	42	55	91	28	52/53
DN65	47	72	112	30	70
DN80	52	87	125	33	85
DN100	62	106	147	38	104
DN125	52	132	178	40	129
DN150	66	157	208	42	154

DIN



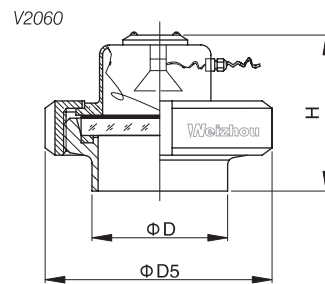
焊接式管道视镜
Welded Pipe Sight Glass

DN	A	B		C	H
		0	2		
DN25	26	28	29	79	136
DN32	32	34	35	85	136
DN40	38	40	41	92	140
DN50	50	52	53	108	140
DN65	66	70	70	127	140
DN80	81	85	85	142	152
DN100	100	104	104	162	152

DIN

Size	A	B	C	H
				INCH
1.0"	22.1	25.4	76	138
1.5"	34.8	38.1	85	138
2.0"	47.5	50.8	100	144
2.5"	60.2	63.5	115	144
3.0"	72.9	76.2	125	150
4.0"	97.38	101.6	162	154

INCH



带灯视镜
Sanitary Union Sight Glass Light

SIZE	H	D	D5
			DIN11851
DN80	90	87	126
DN100	100	106	146
DN125	90	132	178
DN150	96	157	208

DIN11851